

MURFREESBORO PARKS AND RECREATION COMMISSION AGENDA  
WEDNESDAY, APRIL 7, 2021

12:00 NOON

Call to Order

Prayer and Pledge

Consider for Approval the Minutes of the February 3, 2021, Murfreesboro Parks and Recreation Commission meeting.

New Business

- I. Introduction of Frederick Cosby
- II. Introduction of Susan Hicks
- III. Consider for Approval "HeART of Tennessee" Sculpture Donation
- IV. Consider for Approval Pickleball Tournament Fees
- V. Consider for Approval Siegel Turf Fees
- VI. Consider for Approval Greenspace Fees for Oaklands and McKnight Parks
- VII. MPRD Upcoming Events/Programs

Other Business

MURFREESBORO PARKS AND RECREATION COMMISSION MINUTES  
WEDNESDAY, FEBRUARY 3, 2021

12:00 NOON

MPRC Members Present: Mr. Eddie Miller (new Chair)  
Dr. Charlie Apigian, Mr. Leroy Cunningham, Mr. Rick LaLance,  
Mr. Ronnie Martin, Mr. Ralph Ringstaff, Mr. Tim Roediger (new  
Vice-Chair), Mr. Ricky Turner, and Mr. Don Turner (ex officio)

MPRC Member Absent: Dr. Gloria Bonner

MPRD Staff Present: Mr. Nate Williams, Director  
Mr. Thomas Laird and Ms. Rachel Singer (Asst. Directors)  
Mr. Gary Arbit, Mr. Derek Blake, Ms. Lisa Browning,  
Ms. Crystal Ellis-McFerrin, Ms. Gernell Floyd, Ms. Susan Hicks,  
Ms. Mitzi Hughes, and Ms. Heather Mullican

Others Present: Ms. Angela Jackson, Exec. Director of Community Services  
Ms. Kelley Baker, Asst. City Attorney

For Presentation Only: Mr. Cameron Mitchell (Actor Laureate)  
Ms. Megan Brooker (Dance Laureate)

After the meeting was called to order by Mr. Eddie Miller, Mr. Ronnie Martin led everyone in a prayer and in the Pledge of Allegiance. Mr. Nate Williams introduced and welcomed a new member to the commission, Mr. Leroy Cunningham, who has been a Murfreesboro resident for the last 27 years and works at First Bank. Mr. Williams added that Mr. Cunningham was appointed by Mayor McFarland, who sent high praise for him. Mr. Cunningham said he enjoyed meeting several MPRC members before today's meeting and appreciated the warm reception. He hopes to meet everyone soon and is excited to be a part of the Parks and Recreation Commission.

Mr. Williams next announced that the commission needed to select a new Chair and Vice-Chair. Ms. Kelley Baker led the commission through the voting process. Mr. Roediger nominated Mr. Miller as the Chair. Mr. Ricky Turner seconded the nomination, which was approved unanimously by the commission. Mr. Turner then nominated Mr. Roediger for the Vice-Chair position. Mr. LaLance seconded, and the commission voted unanimously for Mr. Roediger to serve as the MPRC Vice-Chair. Mr. Miller thanked the commission for the vote of confidence they had for him. He said it would be his pleasure to serve and that he is taking on a group that has had many years of excellent leadership by Mr. Dee Jernigan.

Ms. Lisa Browning, Cultural Arts Coordinator, showed a video of the 2021 Murfreesboro Cultural Arts Laureates, who each shared their relevant backgrounds to the laureate program and stated their goals for the upcoming year. The three laureates for this year are Mr. Cameron Mitchell, actor laureate; Ms. Meg Brooker, dancer laureate; and Ms. Amie Whittemore, poet laureate (2<sup>nd</sup> year in role). The laureate theme for 2021 is the "Hope Effect." Mr. Mitchell and Ms. Brooker were present to receive their laureate awards today. Ms. Whittemore was unable to attend. Ms. Browning asked that everyone please congratulate all three laureates in the coming year. She thanked the laureates for "sharing their talents and compassion and for

encouraging, growing, and nurturing creative arts in the community and culture within Murfreesboro.”

Ms. Gernell Floyd, Patterson Park Superintendent, gave an overview of the Martin Luther King, Jr., (MLK) Day of Service, “a day on, not a day off,” that was held at Patterson Community Center on January 18, 2021. She mentioned that Patterson was already serving as the “flagship venue for the local MLK holiday, march, and Day of Celebration.” To go along with the important holiday, Ms. Floyd said that Ms. Karen Lampert, City Grants Coordinator, helped secure an MLK Day of Service grant for \$50,000 through Americore to help with event costs and a new playground for Patterson. One goal of the grant was to encourage people to volunteer with acts of service in the community and to continue their volunteer efforts on a regular basis after the holiday. Ms. Floyd invited the community to watch a Bradley Academy Museum virtual art exhibit depicting MLK, Jr., and his influence with the civil rights movement. The exhibit was developed by youth from Patterson and Bradley Elementary School, and by the MTSU Art History Department. The virtual exhibit started on the MLK Day of Service and will run until the first of April. Another event on MLK Day was a Sort-a-Thon (held at Patterson) in which City employees helped fill backpacks with donated food items for the Murfreesboro City Schools’ (MCS) “Pack the Packs” program, which provides food assistance to MCS students. A Drive-through Giveaway, hosted by MCS, was also held at Patterson that day “to provide MCS families in need with food, hygiene products, and face masks.” Volunteers for the Giveaway included MCS staff and families, Read to Succeed representatives, and Siegel High School students. The MLK Day of Service was promoted to the community through various means, including social media, and Patterson staff requested that community pictures showing volunteer works on the MLK Day of Service be posted to Facebook, Twitter, and Next Door, either individually or as a group to #BoroMLKDay. Ms. Floyd thanked MPRD for its support, as well as the planning team for the day’s events: Ms. Vonchelle Stembridge, Mr. Derek Blake, Ms. Heather Mullican, Ms. Crystal Ellis-McFerrin, and Ms. Karen Lampert (not present today). Mr. Miller said their hard work, which allowed so many to benefit, is appreciated. He added that he’s looking forward to the Virtual Art Show.

Mr. Miller next presented for approval the minutes of the January 6, 2021, MPRC meeting. Mr. Ronnie Martin made a motion to approve the minutes as read. Mr. LaLance seconded, and motion passed by unanimous vote.

Mr. Gary Arbit, Adams Tennis Complex (ATC) Facility Supervisor, said that his staff would like to increase the nonmember court per hour fee from \$12.00 to \$15.00 and change the court booking window for nonmembers from 10 days out to just 3 days out. He explained that his staff believes the changes would allow the current ATC members to receive more value for their money by not having to compete as often with nonmembers for courts. His staff also believes the increased nonmember court booking fee might help encourage more nonmembers to become members for the better court booking options. Dr. Charlie Apigian thought just 3 days out for nonmembers to book a court was too short of a window, since he likes to book his activities farther out than that. Mr. Miller asked what the membership fees were. Mr. Arbit said the youth/seniors/military fee is \$250/year; individual fee is \$450/year; and the family fee is \$600/year. Mr. LaLance mentioned that 5 days out might work. Mr. Williams said that the goal is to boost the value of the memberships, and staff believes the 3-day out booking window for nonmembers would actually allow for that. Dr. Apigian asked how the 10 days out was originally determined. Mr. Arbit said that window is common with other similar-type tennis

facilities. Mr. Cunningham asked what the membership total was. Mr. Arbit said there are around 850 members. Mr. Cunningham also asked if there was a breakdown of court use for members versus nonmembers. Mr. Arbit stated that the court use is primarily by members, with an approximate 10% usage by nonmembers. He added that the changes proposed today are a result of members asking for better court opportunities. Mr. Miller asked if there were a motion to increase the nonmember court per hour fee and shorten the booking window for nonmembers from 10 to 3 days. Mr. LaLance made a motion to approve Mr. Arbit's requests. Mr. Turner seconded the motion, and motion passed by a majority vote, with Mr. Roediger voting "no."

Ms. Susan Hicks, Cultural Arts Facility Coordinator, requested approval for Perform Murfreesboro to offer a new program, Broadcast 101 class with a production at the end for six youth in three separate age groups (9-17) being selected through online auditions. This will be a 12-week pilot program, with 6 weeks of instruction for the youth to learn about journalism, camera etiquette, interview skills, camera engagement, etc. The other 6 weeks will involve sending the participants to conduct live interviews of people at places of interest in Murfreesboro. A 30-minute show will be developed after the youth-led interviews, and the show will be aired on City TV. Ms. Hicks asked that a \$50 participant fee be charged to each of the six youth chosen for the program, in addition to the annual Perform Murfreesboro Membership fee of \$25. Dr. Apigian made a motion to approve the Broadcast 101 class, production, and fee as described. Mr. Roediger seconded. Motion passed by a unanimous vote.

Mr. Miller welcomed Ms. Rachel Singer who gave the department program and event updates. Ms. Singer encouraged everyone to see the new rotunda art exhibit, *The Nurture of Nature*, which features three artists who have highlighted nature in their works. The exhibit will run through February 25<sup>th</sup>. Next Ms. Singer invited community members to participate in the Guardians of the Greenway (a greenway cleanup program) on Thursdays from 9:00-10:00 a.m. in February at various trailheads, with dates/trailheads being listed on the Parks and Recreation website. Gloves, trash pickers, and bags will be provided each week to the volunteers. Outdoor Murfreesboro is offering numerous programs and activities, which can be found on the Parks and Recreation website as well. Registration for the Spring Racquetball League at Patterson Community Center started on February 1<sup>st</sup> and will go through March 5<sup>th</sup>. Pickleball is still as popular as ever and is held at Sports Com, Patterson, and McFadden Community Center. Ms. Singer further announced that MPRD summer camp registration will begin on March 1<sup>st</sup> at 8:00 a.m., through online registration and in-person registration at Sports Com, Patterson, or the main MPRD office. Ms. Singer stressed that those hoping to sign up online should first contact staff at the main office to make sure their household account number is active, so that they won't be delayed when trying to register online the first day of camp registration. She additionally indicated that many of the outdoor camps fill up fast on the first day of registration. Ms. Singer showed a slide with all the camp listings. She said that the camp information is also on the City's website. Another reminder by Ms. Singer was that all of the MPRD program information can be found online in the *Rec Connection*, the department's programming guide. Also, there are multiple Facebook pages with MPRD information. An interactive calendar is even available for people to check out various dates and events. Mr. Miller thanked Ms. Singer for the update and mentioned that there are always lots of things to do through the Parks and Recreation Department.

Mr. Miller next thanked Mr. Cunningham for serving on the MPRC and welcomed him. The meeting was adjourned, being no more business.

Meeting Adjourned: 12:37 p.m.

Minutes Approved:

---

Mr. Eddie Miller, MPRC Chair

---

Mr. Nate Williams, MPRD Director



April 7, 2021

For Murfreesboro Parks and Recreation Commission:

**RE: Accept Donation of HeART of Tennessee sculpture**

**Background**

The Rutherford Arts Alliance has proposed the donation of a sculpture, "HeART of Tennessee" to be located on the Breezeway Trail adjacent to the Gateway Island.

As one of the first Laureates with Murfreesboro Parks and Recreation, Ginny Togrye began the first phase of the community building project by enlisting 24 local artists to paint aluminum hearts, which have been displayed around the city including on the Civic Plaza and at Center for the Arts. Additional phases included working with local sculptor and MTSU professor Michael Baggerly to design and build a centerpiece sculpture that incorporates the hearts, and working with a team that includes engineer Matt Taylor and architect Jim Lohen, blacksmith Joe Brown, as well as MTSU Concrete Department for the fabrication and installation of the sculpture.

**Fiscal Impact**

The installation of the sculpture and surrounding amenities will be donated at no cost to the City. Upon acceptance, future maintenance and upkeep will be managed by Murfreesboro Parks and Recreation Department.

**Recommendation**

It is recommended that the commission endorse the acceptance of the donation, contingent upon completion of all City requirements and approvals that may include the Gateway Design Review Committee, Planning Commission, and Murfreesboro City Council.

Respectfully,

Rachel Singer  
Assistant Director

# HeART of Tennessee Sculpture Installation



RUTHERFORD  
ARTS ALLIANCE



TENNESSEE  
ARTS  
COMMISSION

Cultivate. Create. Participate.

## Grants and Donations From Our Community Partners Made This Project Possible



LOWEN+ASSOCIATES, LLC



LOUGHRY TRUST



VANDERBILT  
HEART



Middle Tennessee Electric  
Membership Corporation  
Your Touchstone Energy® Cooperative



TN Women's Care  
Puckett's  
Bill and Kathy Jones  
Leslie & Mark Akins  
Vicki & Nick Lewis  
Attorney Rick Mansfield  
MTSU

Midstate Radiology  
Discovery Center  
Creative Visions  
George & Lynn Lien  
Ragan Smith & Assoc.  
Murfreesboro Medical Clinic  
Rutherford County Convention and Visitor's Bureau

Parks Realty  
Murfreesboro Pulse  
Wild about Smiles  
The Write Impression  
Liquid Smoke  
MTSU Center For Popular Music

Sims Realty  
Smile Doctors  
Realtor Rita Ash  
Funtiques  
Bearded Iris Brewing  
5 Senses Restaurant

## Sculpture by Michael Baggerly; HeART project concept and implementation by Ginny Togrye and Sharon Kolli and these contributing artists

Norris Hall  
Ginny Togrye  
Mira Patel  
Dawna Magliacano  
Delaney Fitzhugh  
Janice Reeves

Lewis & Eric Snyder  
Sharon Kolli  
Kay Currie  
April Broussard  
Phil Wagner  
Lisa Sims  
Kory Wells

Abby Hirsch Reish  
Suzanne LeBeau  
Susan Gulley  
Sharon Mayeux  
Richard Spry  
Lynn Anthony  
Sheryl Ann Miller

Lisa Browning  
Ashley Buchanan  
Carol Berning  
Diane Stockard  
Susan Rodehaver  
Lisa Jackson

## A 2018-2019 Murfreesboro Arts Laureates Project

Dedicated in loving memory to Dr. Ginna Foster Cannon, chair of the Rutherford Arts Alliance, 2018, exuberant advocate for the diverse culture and heritage richness of Rutherford County.



Murfreesboro Medical Clinic

Murfreesboro Bark Park

Bark Park

RCFD Station 4

Greenway Mobile Home Park

Gateway Island Park

Garrison Dr

Kennedy Dr

Williams Dr

Carl Adams Dr

W College St

CSX Transportation

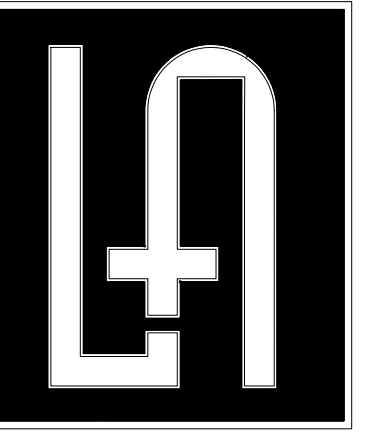
West Fork Stones River

West Fork Stones River

GREENWAY RIVER GREENWAY TRAIL

1

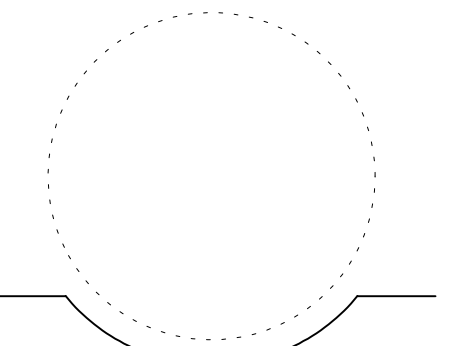




**LOWEN+ASSOCIATES, LLC**

2700 Belmont Boulevard, Suite A  
Nashville, Tennessee 37212  
www.Lowen-Associates.com  
p (615) 386-3357 f (615) 386-3329

PROFESSIONAL SEAL:



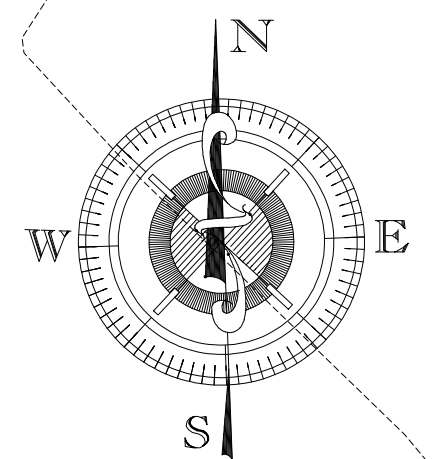
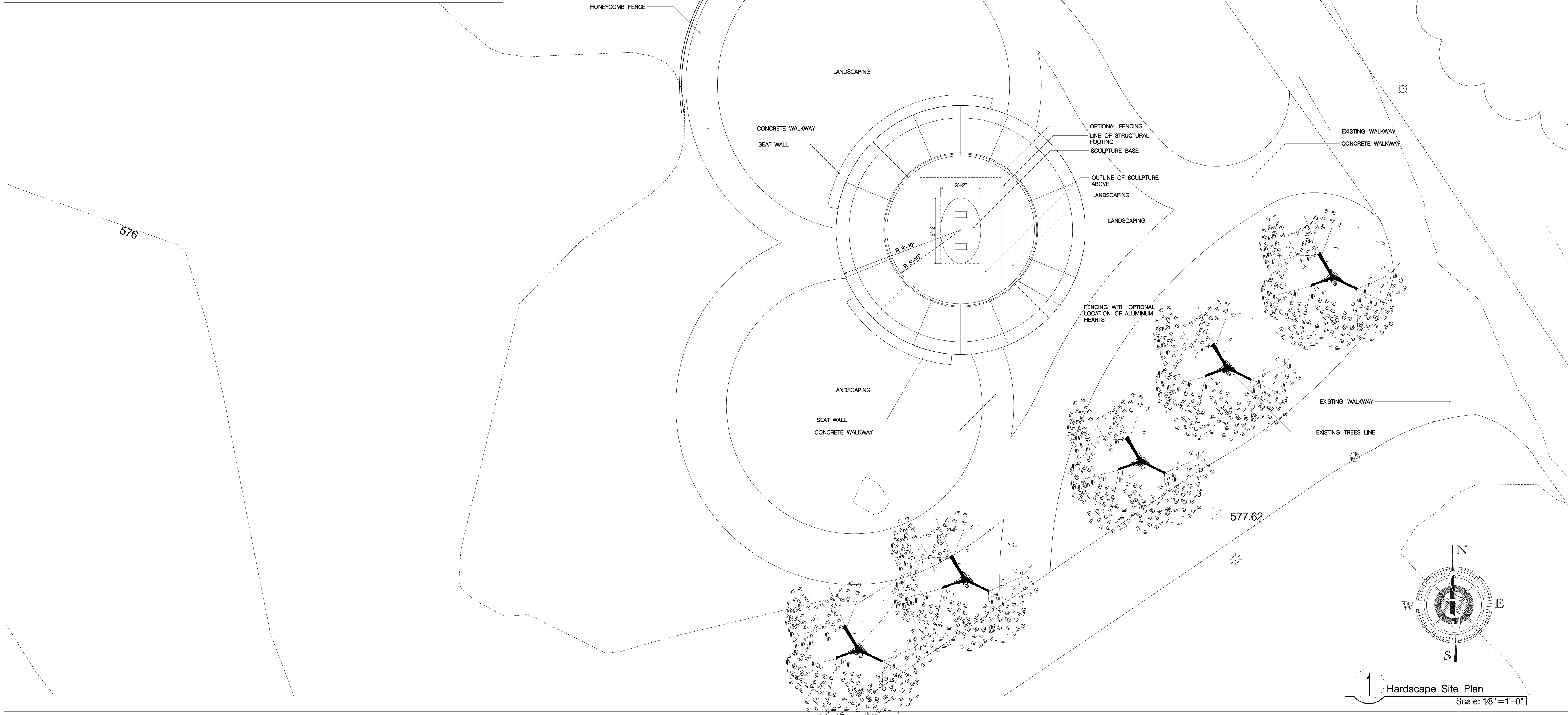
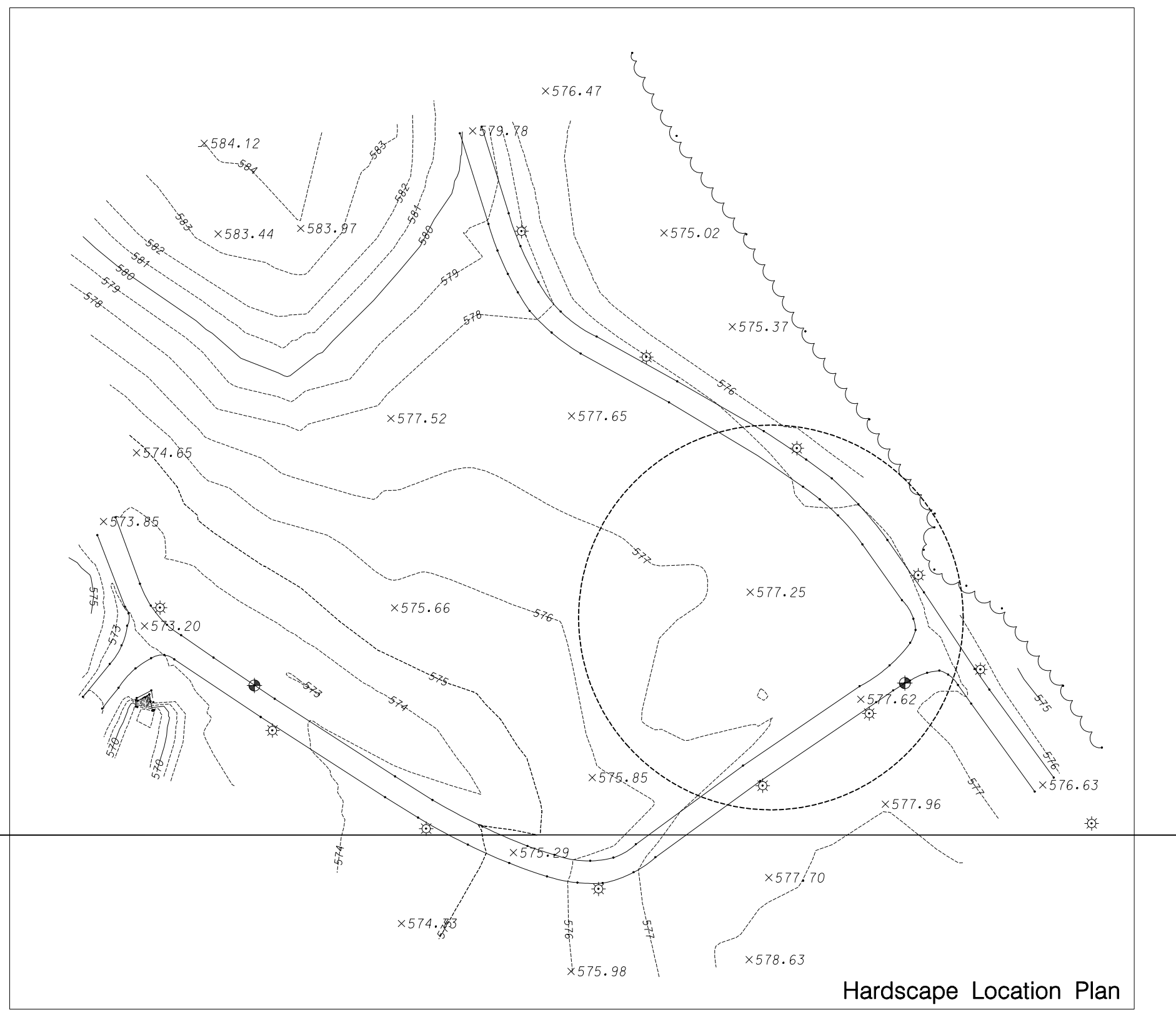
LANDSCAPING AND HEART OF TN SCULPTURE PLAN:  
**HEART OF TENNESSEE SCULPTURE INSTALLATION**  
BREEZEWAY RESTORATIVE TRAIL  
MURFREESBORO, RUTHERFORD COUNTY, TN  
CONTACT: GINNY TOGRYE: (615) 403-7161

PHASE: \_\_\_\_\_  
SCHEMATIC DOCUMENTS  
PROJECT NUMBER: \_\_\_\_\_  
19-21  
ISSUE DATE: \_\_\_\_\_  
February 19, 2020  
REVISIONS: \_\_\_\_\_

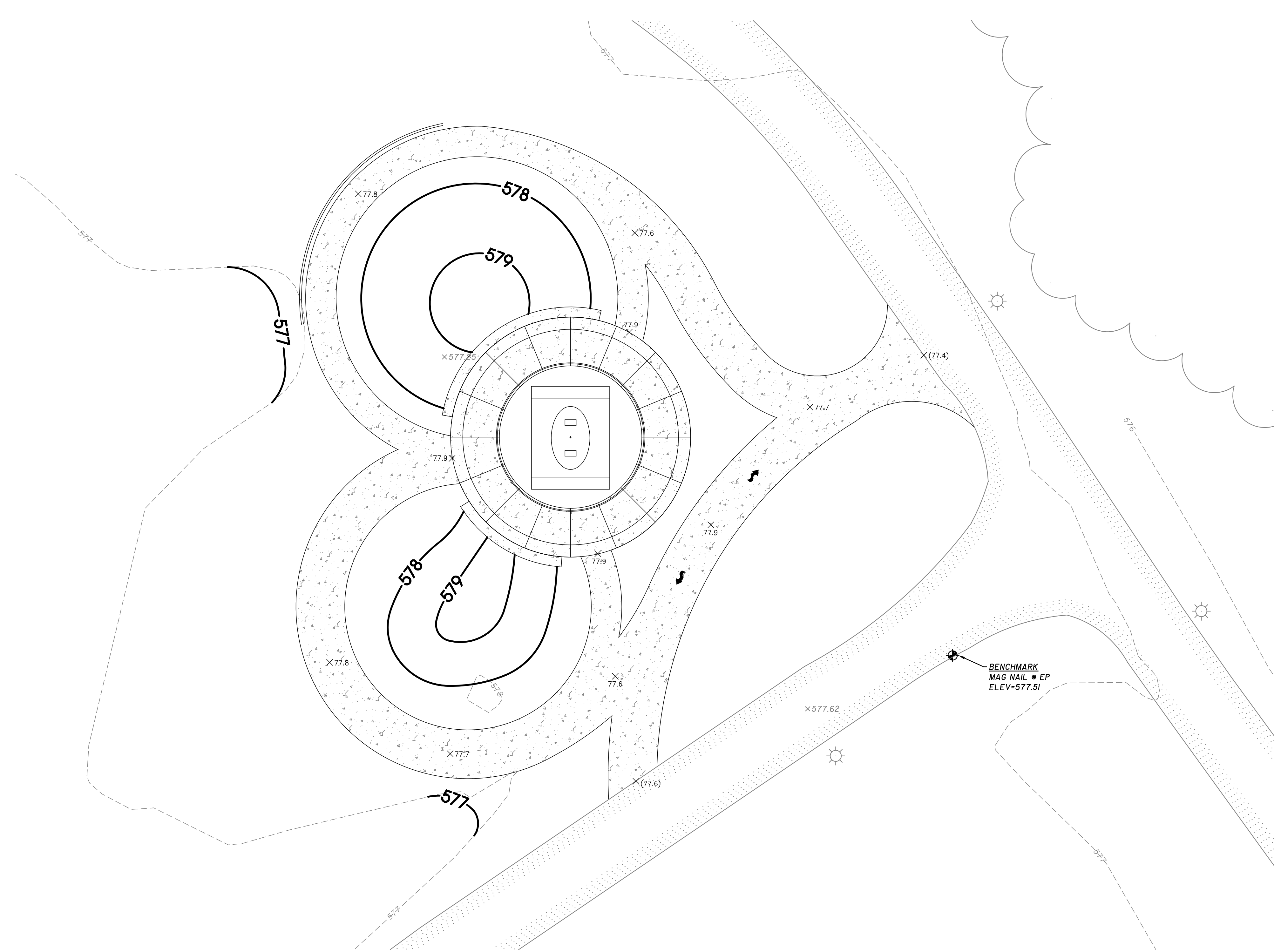
- △
- △
- △
- △
- △

Hardscape Site Plan

**A1.1**



1 Hardscape Site Plan  
Scale: 1/8" = 1'-0"



1 ★ Outfall

FINAL OUTFALLS			
NUMBER	DESCRIPTION	AREA	SLOPE
1	BOX CULVERT AT N.W. CORNER	---	1-5%

- NOTES:**
- Final EPSC Measures Shown Here On Shall Be Enacted As Early As Practical During Construction. Stabilization Timing Criteria Has Been Established In The SWPPP and TNCGP.
  - Inlet Protection, Erosion Blanket & Temporary Stabilization (I.E. Seed & Mulch) Will Be Installed By General Contractor. Permanent Stabilization Measure (I.E. Sod, Landscape, Pavement) Will Be Installed By Owner.
  - Contractor To Stabilize All Disturbed Areas After Construction.

**811**  
Know what's below.  
Call before you dig.

SCALE: 1" = 10'

Legend:			
□	EXIST. CONCRETE MONUMENT	⊕	BENCHMARK
●	IRON PIN SET (I.P.S.)	⊕	HANDICAP PARKING SYMBOL
○	IRON PIN FOUND (I.P.F.)	V.A.	VAN ACCESSIBLE HANDICAP DESIGNATION
+	EXIST. SIGN POST	+	HC SIGN
+	EXIST. SEWER CLEANOUT	+	PROPOSED SIGN POST
○	EXIST. MANHOLE (SEWER & PHONE)	●	CONCRETE BOLLARD
⊕	EXIST. CATCH BASIN (STORM SEWER)	—	WHEEL STOP
⊗	EXIST. WATER/GAS VALVE	—	CONCRETE SIDEWALK
⊕	EXIST. TELEPHONE RISER	—	EXTRUDED CURB
⊕	EXIST. GAS RISER	—	CURB & GUTTER
⊕	ELECTRICAL ENCLOSURE	→	TRAFFIC ARROW
⊕	EXIST. WATER METER	↔	TURN LANE ARROWS
○	EXIST. UTILITY POLE	⚠	REVISION NUMBER
⊕	EXIST. FIRE HYDRANT	#1	DRAINAGE STRUCTURE DESIGNATION
⊕	POST INDICATOR VALVE	A	DRAINAGE PIPE DESIGNATION
⊕	BLOW OFF VALVE	⊗	RIP RAP
⊕	REDUCER	→	RUNOFF FLOW ARROW
⊕	REMOTE FIRE DEPT. CONNECTION	□	INLET FILTER PROTECTION
⊕	CONCRETE THRUST BLOCK	63.25	PROPOSED SPOT ELEVATION
⊕	DOUBLE DETECTOR CHECK VALVE	(63.25)	EXIST. SPOT ELEVATION
⊕	FIRE DEPT. CONNECTION	>	SEWER/STORM FLOW DIRECTION
⊕	FIRE HYDRANT	■	CATCH BASIN
⊕	GATE VALVE & BOX	■	CURB INLET
⊕	WATER METER	●	AREA DRAIN
⊕	GAS METER	—	HEADWALL
⊕	GREASE TRAP	⊕	WINGED HEADWALL
○	EXTERIOR CLEANOUT ECO	—	CONCRETE SWALE
○	MANHOLE	⊕	TYPE- X- HEADWALL
—	EXISTING PHONE	PH	—
—	EXISTING ELECTRIC	OH	—
—	PROPERTY LINE	---	---
—	EASEMENTS	---	---
—	RIGHT OF WAY	ROW	---
—	EROSION CONTROL SILT FENCE	SF	SF
—	EROSION EEL	E	E
—	EXISTING TREELINE	~	~
—	EXISTING FENCELINE	X	X
—	MINIMUM BUILDING SETBACK LINE	---	---
—	PHASE BOUNDARY	----	----
—	EXISTING GAS LINE	GAS	---
—	PROPOSED GAS LINE	GAS	---
—	EXISTING STORM	STM	---
—	PROPOSED STORM	STM	---
—	EXISTING CONTOUR LINES	601	---
—	PROPOSED CONTOUR LINES	601	---
—	EXISTING SANITARY SEWER	SS	---
—	PROPOSED SANITARY SEWER	SS	---
—	EXISTING WATER	W	---
—	PROPOSED WATER	W	---

**SEC, Inc.**  
SITE ENGINEERING CONSULTANTS  
ENGINEERING • SURVEYING • LAND PLANNING  
LANDSCAPE ARCHITECTURE

850 MIDDLE TENNESSEE BOULEVARD  
MURFREESBORO, TENNESSEE 37129  
PHONE: (615) 880-7901 E-MAIL: MTAYLOR@SEC-CIVIL.COM FAX: (615) 885-2567

**REVIEW SET**  
(Not Intended for Construction)

**Gateway Sculpture**  
Murfreesboro, Tennessee

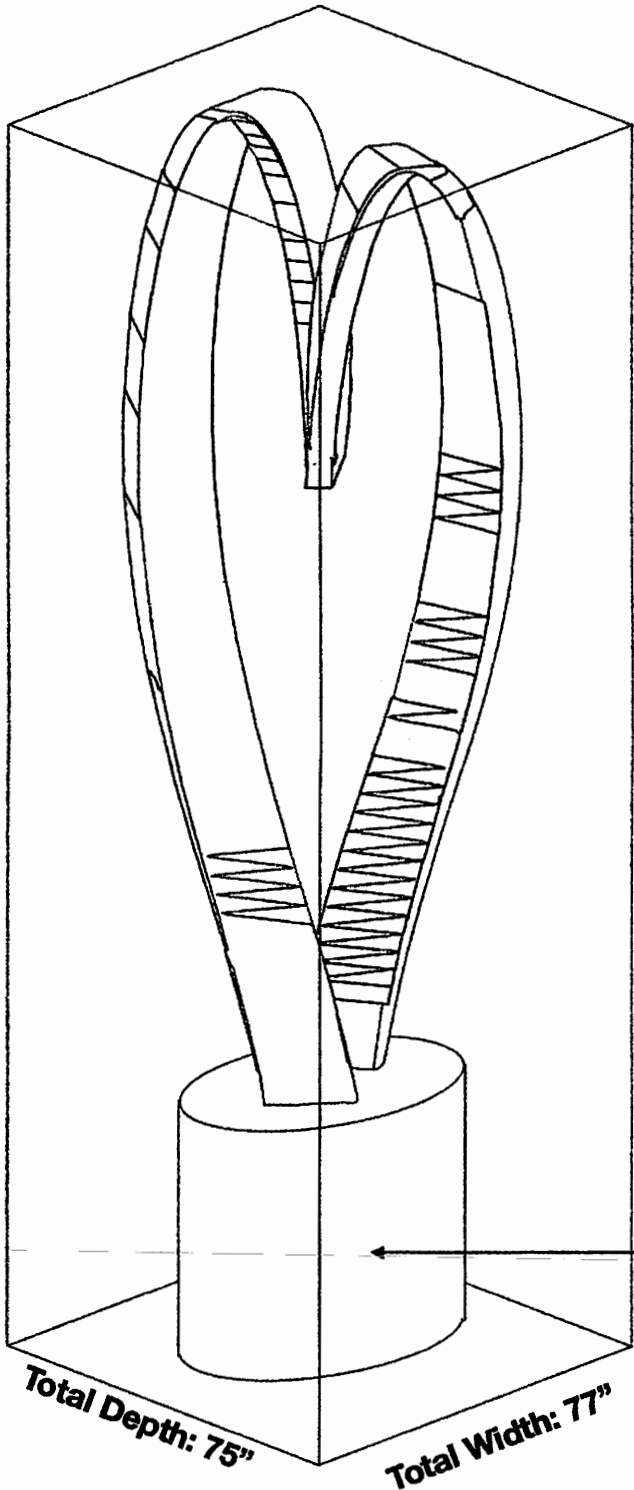
**811**  
Know what's below.  
Call before you dig.

SCALE: 1" = 10'

**Grading, Drainage,  
& Final EPSC Plan**

**C3.0**



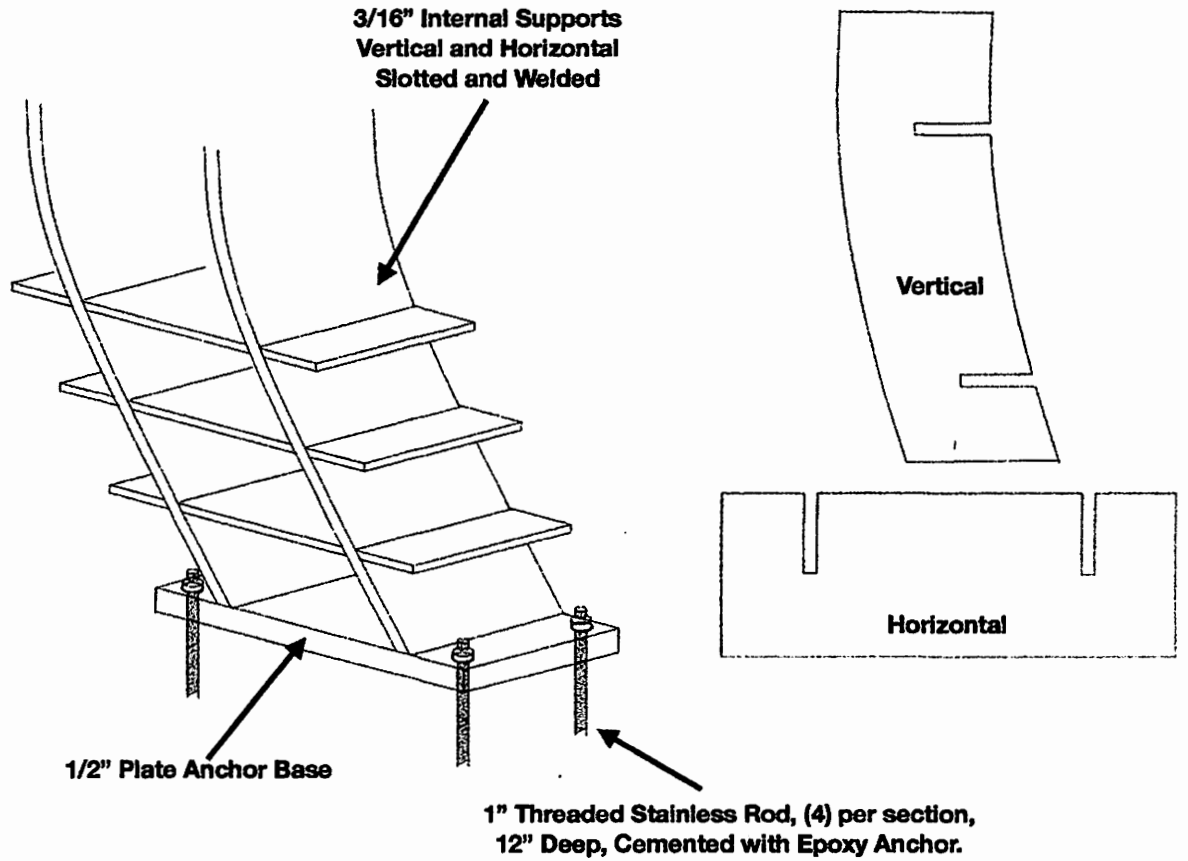


Outside of sculpture will be skinned with 16ga. Steel which will be welded to the vertical and horizontal internal supports

Total Height: 222"

Base Height: 60"  
Width: 62"  
Depth: 38"

Estimated Total Weight of Steel Sculpture: 790lbs.



3/16" Internal Supports  
Vertical and Horizontal  
Slotted and Welded

1/2" Plate Anchor Base

1" Threaded Stainless Rod, (4) per section,  
12" Deep, Cemented with Epoxy Anchor.

Vertical

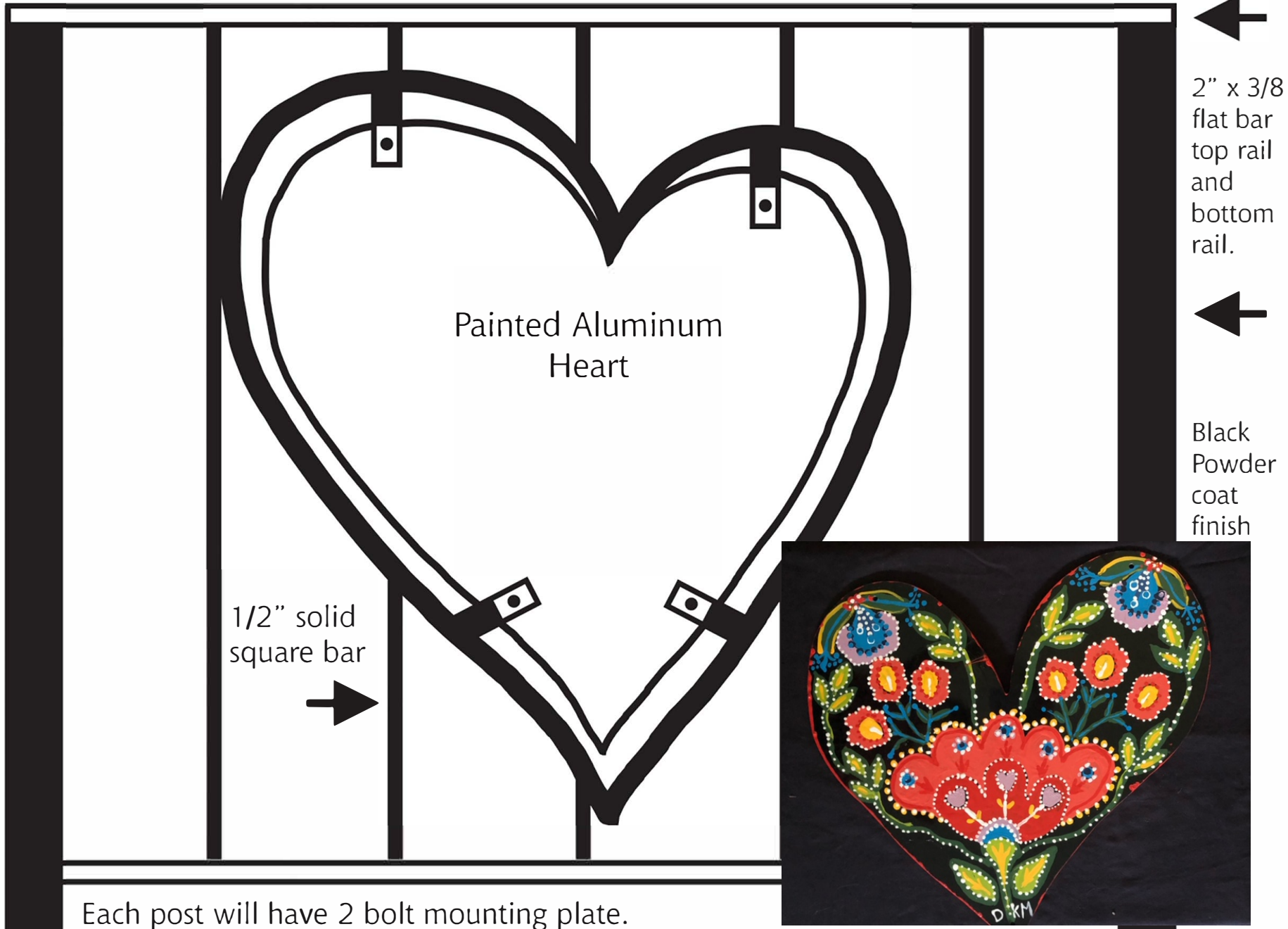
Horizontal

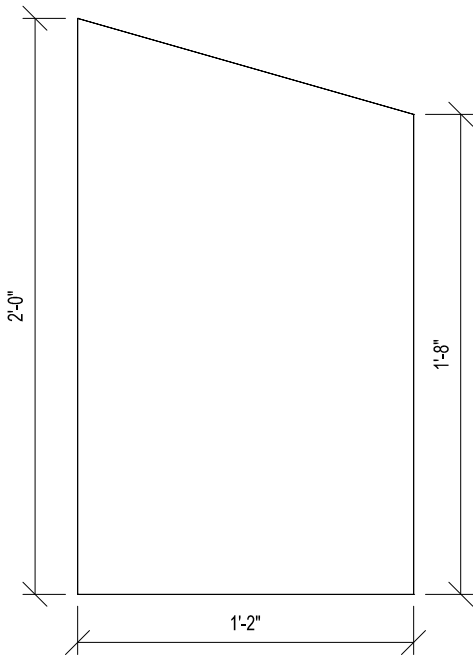
# HeART OF TENNESSEE FENCE DESIGN

Plasma cut heart frame with tabs for hearts to be mounted.

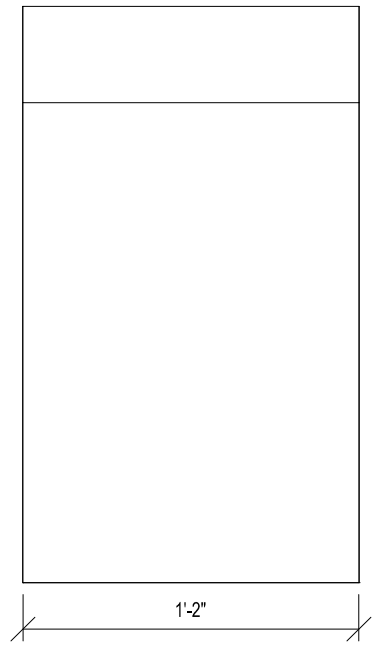
Each Panel 2.3 feet long and 36" tall

37+ feet circumference of sculpture installation

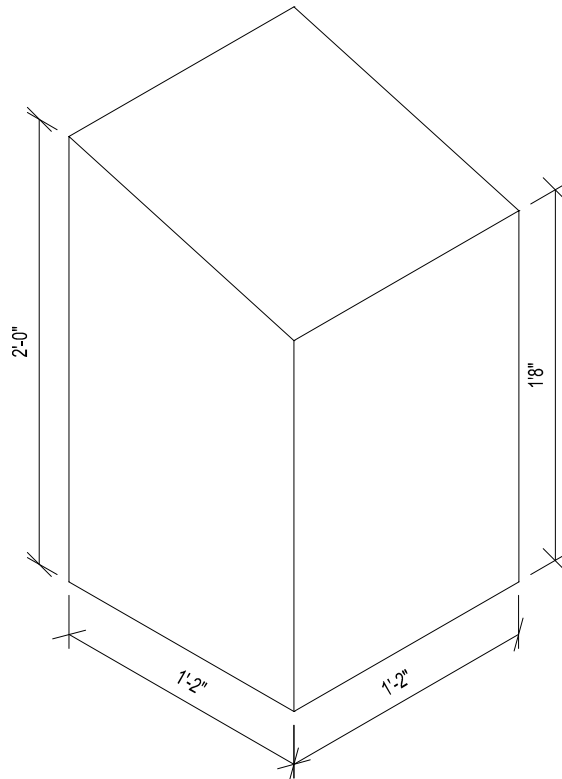




**SECTION VIEW**  
SCALE: 1-1/2" = 1'-0"



**ELEVATION VIEW**  
SCALE: 1-1/2" = 1'-0"



**ISOMETRIC VIEW**  
SCALE: N.T.S.



**CENTURY  
GROUP**

PO BOX 228 - SULPHUR, LA. 70664 - PHONE (800) 527-5232 - FAX (337) 527-8028  
Sulphur LA. - Muskogee OK. - Lebanon TN. - Greenville AL. - Princeton NC.

This drawing is the property of Century Group, is confidential information, and is protected by State and Federal law. Use of this drawing is conditioned upon user's agreement to the following: (1) not to reproduce the drawing, in whole or in part, nor the material described therein; (2) not to use the drawing for any purpose other than as specifically permitted in writing by Century Group; and (3) that if the user conceives or perfects a development, improvement, invention, or design of any description whatsoever to this drawing, then such matter shall automatically become the property of Century Group.

DATE DRAWN:  
10-17-05  
DATE REVISED:  
10-03-16  
DWG ID:  
CPW01134  
SCALE:  
AS NOTED  
SHEET #:  
1

CENTURY GROUP INC.

14" MONUMENTAL  
MEMORIAL PEDESTAL



*... creating a better quality of life*

April 1, 2021

For Murfreesboro Parks and Recreation Commission:

**RE:** Pickleball Tournament Fees

**Background**

Pickleball has become a vastly popular sport around the area. With the newly renovated outdoor pickleball courts at Patterson Park, this is the perfect venue to start hosting tournaments. Each tournament will be broken down by skill level and age, so everyone is welcome. The first tournament will be a three-day tournament held in June.

**Fiscal Impact**

The proposed fee is \$40.00 to participate in one event and \$10.00 for any additional event. The fee will include a tournament t-shirt. Also, prizes will be given to 1<sup>st</sup>, 2<sup>nd</sup> and 3<sup>rd</sup> place for each event. Events include Men's and Women's Singles, Men's and Women's Doubles, and Mixed Doubles.

**Recommendation**

It is recommended that the commission approve the proposed fees for Pickleball Tournaments.

Sincerely,

Brittany Garrett  
Athletic Supervisor



*... creating a better quality of life*

March 24, 2021

For Murfreesboro Parks and Recreation Commission:

**RE:** Field rental fees for games and practices at Richard Siegel Soccer Complex

### **Background**

The Richard Siegel Soccer Complex has been a soccer destination in Middle Tennessee since the park opened in 2005. Current renovations, which include replacing natural grass with synthetic turf on eight fields, will make Siegel a regional soccer destination. In addition to turf improvements, the project includes office space and an indoor facility. City Council has provided adequate funding to ensure the project's completion within the next calendar year. While hourly and daily rental fees have been approved, staff has identified a need for set practice and game fees. The proposed fees will be incorporated into an extensive fee structure once construction is completed.

### **Fiscal Impact**

The proposed fee structure offers soccer teams and organizations competitive rates for the use of synthetic turf for scheduled games and practices. Additional fee options will become available with the completion of eight synthetic fields and indoor space.

### **Recommendation**

It is recommended that the commission approve the proposed fees and charges for the use of synthetic turf fields for games and practices.

### **Attachment**

Siegel Soccer Field Rental Fees for Games and Practices

Thomas Laird  
MPRD Assistant Director



### Synthetic Turf Fees and Charges

	Standard Rate	TSSA Discount Rate	RLP Discount Rate
Full day rental per field	\$720.00	\$612.00	\$648.00
Half day Rental per field	\$480.00	\$408.00	\$432.00
Hourly Rental rate per field	\$120.00	\$102.00	\$108.00

#### 1 1/2 hour Practice Rates

	Standard Rate	TSSA Discount Rate	RLP Discount Rate
Half Field	\$90.00	\$77.00	\$81.00
Quarter field	\$60.00	\$51.00	\$54.00

#### Game Rates

	Standard Rate	TSSA Discount Rate	RLP Discount Rate
Full Field Single Match	\$210.00	\$179.00	\$189.00
Full Field Double Match	\$360.00	\$306.00	\$324.00
Small sided field	\$110.00	\$94.00	\$99.00



... creating a better quality of life

For Murfreesboro Parks and Recreation Commission:

**RE: Greenspace Fees for Oaklands and McKnight Parks**

As an item for the agenda of April 7, 2021, staff is seeking approval from the Murfreesboro Parks and Recreation Commission (MPRC) for greenspace fees at Oaklands Park and McKnight Park.

**Background**

Oaklands Park is a 31-acre park that encompasses the historical Maney family site. The park itself has many amenities, including a pavilion, restrooms, playground, certified arboretum, and wetland nature trails. In addition, after the most current renovation of the area, a large greenspace, complete with a reinforced stage area and electrical outlets, also exists. This space is ideal for special events, music festivals, and more. Staff proposes to set fees for this greenspace area specifically.

McKnight Park is an 81-acre park including Sports Com, the McKnight and Star\*Plex ballparks, and the new Miracle Field Ball Complex and playground for all abilities. There is also a large open greenspace between the McKnight and Star\*Plex ball complexes where the City's Fourth of July Celebration has been held in the past, as well as various festivals and events. There have been recent inquiries regarding rental of the McKnight Park greenspace by companies and corporations, and staff would like to set fees for this area.

**Fiscal Impact**

Staff requests to mirror the fee structure already in place at Cannonsburgh. The Oaklands and McKnight Park greenspace areas described are similar in amenities, size, and function.

½ day	\$125
Full day	\$200
Parking lot with greenspace rental	\$100

**Recommendation**

Staff recommends that the MPRC approve the fees for the greenspaces at Oaklands and McKnight Parks.